



TRI W-G[®]

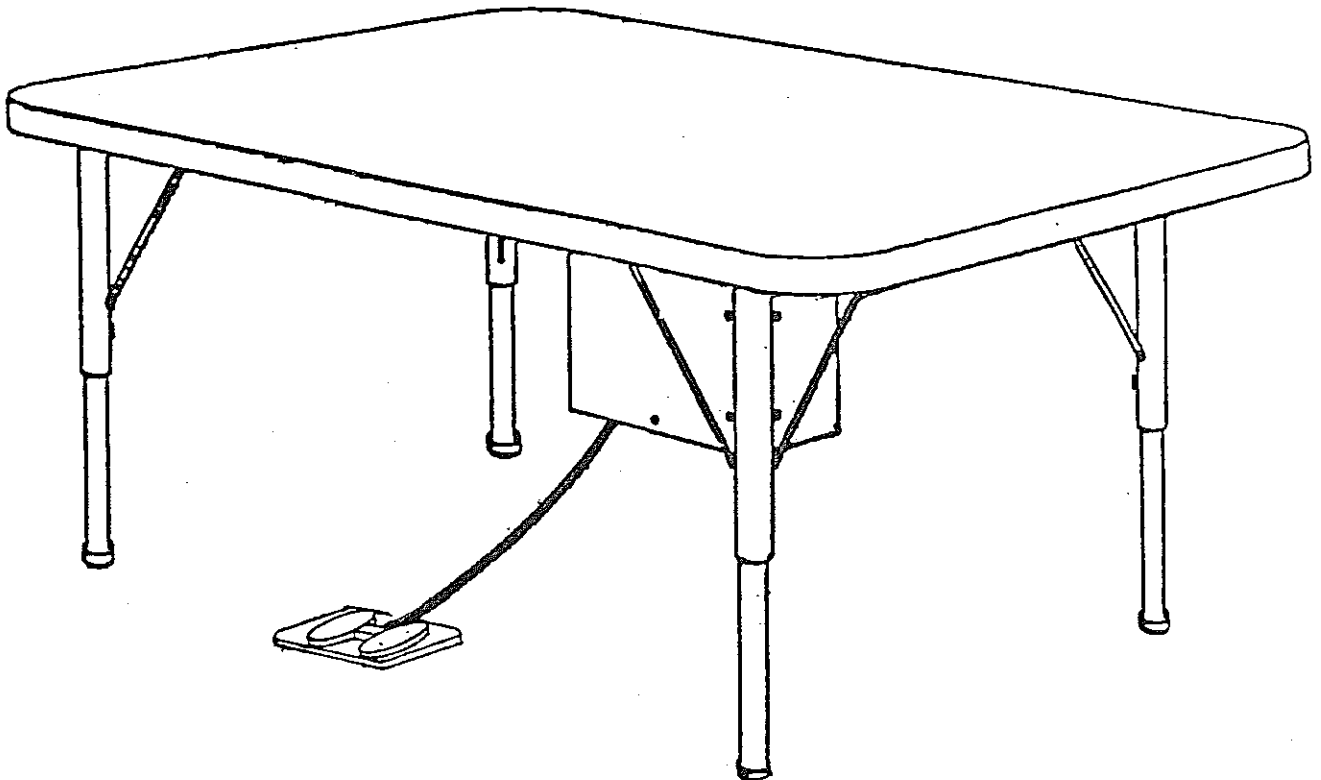
I N C O R P O R A T E D

PO BOX 905
VALLEY CITY, ND 58072
(701)845-3984

1-800-437-8011

OPERATION AND MAINTENANCE MANUAL

MODEL 820 SERIES



Read this Manual prior to operation
Limited Warranty Registration Card Enclosed

NOTICE:

Design changes may have occurred in the product since this manual was published. The technical information found within this manual was correct at the time this manual was approved for publication.

TRI W-G, INC. reserves the right to make changes without prior notification, in design specifications or other improvements on our products without incurring obligations to add them to any device in existence.

TRI W-G, INC. does not assume any risk or liability for attachments, or their effects on this device, if the attachments are not manufactured, sold by and expressly approved by TRI W-G, INC.

When replacement parts are required, use only those replacement parts authorized by TRI W-G, INC.

If any information contained in this publication is not understood, the user should contact TRI W-G, INC. for assistance.

To The Owner/Operator

DO NOT use or operate this device until this manual has been read and understood.

Foreword

This manual has been compiled to assist the owner and/or operator with the correct operation, service and routine preventive maintenance procedures of the Model 820 Series Hi-Lo Mat Tables.

In order to get the optimum performance and efficiency that has been designed into the device, read this manual thoroughly before operating or servicing the device. Become familiar with all decals and safety messages within the manual and on the device. Keep this manual in a convenient place for easy reference when problems arise. **DO NOT** attempt to make repairs or adjustments you do not understand. If you require additional information or service, contact TRI W-G or your TRI W-G representative.

The signal words, **CAUTION**, **WARNING** or **DANGER** are used to indicate degree of hazards and to warn against unsafe practices that may cause personal injury and are used with appropriate safety instructions. These signal words are not to be ignored, you and/or your patients safety is involved.



CAUTION: Denotes a general reminder of good safety practices or directs attention to unsafe practices.



WARNING: Denotes a hazard intermediate between **DANGER** and **CAUTION**.



DANGER: Denotes the most serious hazard.

Important Essential Information Concerning the 820 Treatment Table Series

“Do not use or operate this device until this manual has been read and understood.”

The 820 Treatment Table series has a Class 1 type protection against electric shock.



Above Symbol indicates that the degree of protection against electric shock is Type BF Applied Parts.

The degree of protection against the ingress of water is Ordinary for the 820 Treatment Table series.

The maximum continuous use of the motor on the 820 Treatment Table series is 12 minutes per hour



Above symbol means – Attention, Consult Accompanying Documents

The 820 Treatment Table series of equipment are Ordinary Equipment.

The 820 Treatment Table series equipment have external accessible fuses in the line and neutral. Replace fuses with only 5 x 20 mm – 5 Amp – Time Lag Fuses with High Breaking Capacity. The fuse holder is located on the bottom of the motor housing where the main power supply is attached. First unplug power supply cord from fuse holder then depress plastic retainer clip with your thumb and pull fuse tray down. Replace fuses as necessary. Replace fuse tray into fuse holder and push upward until the tray snaps back into place. Then plug power supply back into fuse holder.



The 820 Treatment Table series of equipment is not suitable for use in the presence of a flammable anesthetic mixture with air or with oxygen or nitrous oxide.



The above symbol means Protective Earth Terminal.



The Power Supply Cord is the main disconnect device.



Please note – The power supply cord illustrated on page 8 - figure 1 now comes out of the bottom of the motor housing rather than on the side as depicted.



Please note – The Illustration of the Electrical Parts on page 11 - figure 3 and the Electrical Service Parts List on page 12 do not reflect the current motor, power supply, and fuse holder in use. Please contact manufacturer at 1-800-437-8011 for an updated Illustration of the Electrical Parts and Electrical Service Parts list on this piece of equipment.



Please note – The illustration of the Wiring Diagram on page 14 – figure 5 does not reflect the current motor, power supply, and fuse holder in use. Please contact manufacturer at 1-800-437-8011 for an updated Wiring Diagram for this piece of equipment.



Please note – We will forward a new manual once all of the illustrations and figures have been updated to reflect the current motor, power supply, and fuse holder in use. Please contact manufacturer at 1-800-437-8011 if you have any questions.

WITH RESPECT TO ELECTRIC SHOCK,
FIRE AND MECHANICAL HAZARDS ONLY
IN ACCORDANCE WITH UL 2601-1
6WA3

WITH RESPECT TO ELECTRIC SHOCK, FIRE MECHANICAL
AND OTHER SPECIFIED HAZARDS ONLY
IN ACCORDANCE WITH CAN/CSA C22.2 NO. 601.1,
(CAN/CSA 601.2XX, IF APPLICABLE)
MEDICAL EQUIPMENT CERTIFIED FOR CANADA
6WA3



LIMITED WARRANTY

This Product or Part is sold by TRI W-G, INC. under the limited warranties set forth in the following paragraphs. Such warranties are extended only with respect to the Purchase of the Product or Part as new merchandise directly from TRI W-G, INC. or a TRI W-G, INC. Authorized Dealer and are extended to the ultimate customer purchaser of the TRI W-G, INC. Product or Part.

TRI W-G, INC. warrants that each Product or Part sold hereunder shall be free of defects in material and workmanship for the Product warranty period identified as follows:

Ten Years: structural frame.

Two Years: operating system and major moving components.

One Year: hand and foot controls; upholstery.

(Please note the aforementioned limited warranty is limited to original owner and not transferable.)

in the case of Products and twelve months in the case of Parts from the date of delivery from TRI W-G, INC. or an authorized TRI W-G, INC. Dealer, whichever is later. Should defects appear in any Products subject to this limited warranty and Parts subject to this limited warranty sold hereunder within the respective limited warranty period, TRI W-G, INC. will repair or replace under the terms of this limited warranty any defective Part or Parts or provide new or remanufactured Parts when the defective Part or Parts are returned to TRI W-G, INC. facilities at Buyer's expense upon twenty (20) days prior written notice to TRI W-G, INC. Buyer will be charged for any replacement Parts when shipped to Buyer by TRI W-G, INC. When the defective Parts are returned to TRI W-G, INC. pursuant to TRI W-G, INC. returned goods authorization, charges will be waived.

This limited warranty does not apply to any Products or Parts which have been damaged through misuse, negligence or accident (including shipping damage) on the part of Buyer or any third party. This limited warranty does not apply to any Product in which Parts other than replacement Parts or Parts approved by TRI W-G, INC. have been used if said Parts are or may be the cause of failure.

FOR ANY BREACH OF WARRANTY, EXPRESSED OR IMPLIED, THE LIABILITY OF TRI W-G, INC. IS HEREBY EXPRESSLY LIMITED, AND SUBJECT TO THE TERMS HEREIN, TO THE REPAIR OR REPLACEMENT OF ANY PRODUCT OR PART WHICH SHALL APPEAR TO BE DEFECTIVE IN THE OPINION OF TRI W-G, INC. THIS WARRANTY IS IN LIEU OF ALL OTHER WARRANTIES, EXPRESSED OR IMPLIED, INCLUDING WARRANTIES OF MERCHANTABILITY AND FITNESS FOR A PARTICULAR PURPOSE. IN NO EVENT SHALL TRI W-G, INC. BE LIABLE FOR ANY SPECIAL, INCIDENTAL OR CONSEQUENTIAL DAMAGES. NO CLAIM FOR BREACH OF WARRANTY FOR PRODUCTS OR PARTS FURNISHED HEREUNDER SHALL BE ASSERTED AGAINST TRI W-G, INC. MORE THAN TWENTY (20) DAYS AFTER THE EXPIRATION OF THE WARRANTY PERIOD.

TRI W-G, INC.
215 12TH AVENUE NE
VALLEY CITY, ND 58072
1-800-437-9011
1-701-845-3984

**MODEL 820 SERIES ELEVATING MAT TABLES
TABLE OF CONTENTS**

NOTICE i

FOREWORD ii

IMPORTANT ESSENTIAL INFORMATION iii

..... iii a

..... iii b

..... iii c

..... iv

TABLE OF CONTENTS 1

WARRANTY 2

USER RESPONSIBILITY/TRACEABILITY Insert

INTRODUCTION 3

GENERAL DESCRIPTION 3

ESSENTIAL SAFETY PRECAUTIONS 4

TABLE SET-UP 5

OPERATION OF TABLE 5

SPECIFICATIONS 6

SERVICE 7

SUGGESTED CLEANING PROCEDURES FOR VINYL 7

LIST OF ILLUSTRATIONS:

 FIGURE 1 - SERIAL PLATE LOCATION 8

 FIGURE 2 - MECHANICAL PARTS 9

 MECHANICAL PARTS LIST 10

 FIGURE 3 - ELECTRICAL PARTS 11

 ELECTRICAL PARTS LIST 12

 FIGURE 4 - PNEUMATIC PARTS 13

 FIGURE 5 - WIRING DIAGRAM 14

SERVICE MAINTENANCE PROGRAM 15

SERVICE MAINTENANCE LOG 16

INTRODUCTION

This manual has been developed to describe the operation and proper maintenance procedures for the Model 820 Series Elevating Mat Tables. Please read this manual thoroughly before operating table and follow all recommended precautionary measures.

GENERAL DESCRIPTION

The Model 820 Series of the Elevating Mat Tables are specifically designed for providing a convenient and comfortable device for administering mat exercise treatments on a comfortable, moveable platform mat with easy access for both the patient and the exercise administrator. The 820 Series consists of the following models:

Model 820-00 & 820-00LL	4' x 7' Square corner mat
Model 820-05 & 820-05LL	4' x 7' Round corner mat
Model 820-10 & 820-10LL	5' x 7' Non-upholstered top
Model 820-20 & 820-20LL	5' x 7' Square corner mat
Model 820-25 & 820-25LL	5' x 7' Round corner mat
Model 820-30 & 820-30LL	6' x 8' Non-upholstered top
Model 820-40 & 820-40LL	6' x 8' Square corner mat
Model 820-45 & 820-45LL	6' x 8' Round corner mat

STANDARD FEATURES INCLUDE:

- 1) *Adjustable height platform from 23-1/4" to 34-3/4" (820 Series) and 18-1/2" to 29-1/2" (820LL Series) (nominal height - measured from floor to top of mat cushion) quickly and effortlessly through the use of standard 115 volt, 15 amps and 60 Hz circuitry.
- 2) Spacious exercise area with 2" polyurethane foam mat providing patient comfort during the exercise treatment. With the vinyl cover meeting flammability of California Bulletin No. 117 for safety purposes. The vinyl cover is easily cleaned with soap and water.
- 3) PVC bumper providing protection from wheel chair and prothesis damage.
- 4) Exercise platform supported by heavy steel with sturdy four corner stability, thus eliminating the need for center support.

*Special low cushion heights available upon request, however, top of cushion is also lowered when specifying low cushion heights.

**Whenever you see this symbol, it means Attention! Become Alert!
You and/or Your Patients Safety is involved.**




**Operating instructions must be given to everyone
before operating this device.**


Essential Safety Precautions

SAFETY SUGGESTIONS

TRI W-G can not anticipate every possible circumstance that might involve potential hazard. The warnings, cautions and safety suggestions in this manual are therefore not inclusive. If an operating procedure, device, maintenance or work method not specifically recommended by TRI W-G is used, you must satisfy yourself that it is safe for you and others. You must also ensure that the product will not be damaged or made unsafe by the procedures you choose.

 **CAUTION:** Denotes a general reminder of good safety practices or directs attention to unsafe practices.

 **WARNING:** Denotes a hazard intermediate between **DANGER** and **CAUTION**.

 **DANGER:** Denotes the most serious hazard.

Become familiar with the controls and their individual responses before operating table.

Become familiar with the following safety statements since they will be found throughout this manual.

 **CAUTION:** To avoid damage to electrical equipment, use proper power source.


 **WARNING:** Do not attempt to service any electrical components. Let only a qualified technician do any electrical repair work.

TABLE SET-UP

- 1) Remove table from shipping crates, inspect for concealed damage that may have occurred during shipment.
- 2) Visually check to assure all fasteners are in place and secure.

OPERATION OF TABLE

- 1) (115 volt, 60 Hz power supply required) Ensure proper power supply and then plug power cord into a (three-prong) grounded hospital grade receptacle.



CAUTION: To avoid damage to electrical equipment, use proper power source.



WARNING: Do not attempt to service any electrical components. Let only a qualified technician do any electrical repair work.

- 2) After table is properly located, lift table top onto table base and attach with four (4) table top lag screws as shown in figure 2.
- 3) The table can be elevated or lowered by use of an air foot control. Depressing the UP button, the table will move up. Depressing the DOWN button, the table will go down. The control switch is of a momentary design in that the table will only move when switch is depressed.

SPECIFICATIONS

MODEL 820 SERIES ELEVATING MAT TABLES

LENGTH:

FRAME:

72" (4' x 7')
72" (5' x 7')
72" (6' x 8')

MAT TOP:

84" (4' X 7')
84" (5' X 7')
96" (6' X 8')

WIDTH:

FRAME:

35" (4' x 7')
47" (5' x 7')
47" (6' x 8')

MAT TOP:

48" (4' X 7')
60" (5' X 7')
72" (6' X 8')

HEIGHT:

23-1/4" to 34-3/4" (overall) (820 Series)
18-1/2" to 29-1/2" (overall) (820LL Series)

FRAME:

10 GA HR sheet steel

TABLE LEGS:

Outside standard: Enameled, welded steel tubing, 12 GA wall
Telescoping standard: Chromium-plated welded steel tubing, 11 GA wall

TABLE COVER AND PAD:

FIRE RETARDANT**Vinyl cover over 2 inch polyfoam (or equivalent) pad. Many colors available. Easily cleanable with soap and water. Complies with California Bulletin 117.

FINISH:

Polyurethane Pearl Gray standard. Polyurethane Porcelain also available. Special colors available upon request.

ELECTRICAL:

1/6 HP instant reverse motor; 3.4 Amps; safety limit switches; air switch. Ordinary 115 Volt, single phase, 60 Hz., 391 watts, 3-wire grounded circuit hospital grade plug. Electrical components UL recognized or CSA certified.

DRIVES:

No. 35 roller chain and sprockets. 1 inch O.D., acme screw stock with ball bearings.

PATIENT LOAD:

Maximum static uniform load600 lbs.

WEIGHT:

Table (4' x 7')345 lbs.
Table (5' x 7') 365 lbs.
Table (6' x 8') 410 lbs.

Table shipping weight (4' x 7') 505 lbs.
Table shipping weight (5' x 7') 535 lbs.
Table shipping weight (6' x 8') 605 lbs.

WARRANTY:

60 months in the case of Products and 12 months in the case of Parts from the date of delivery

**Flammability requirements for materials are those of the manufacturer and not that of Tri W-G, Inc. This term and any corresponding data refer to typical performance in manufacturer's tests and should not be construed to imply the behavior of this or any other material under other fire conditions.

Every effort has been made to use accurate photography, drawings, product specifications and descriptions at the time of printing. However, because of continuous, progressive product improvement, all specifications and descriptions are subject to change without prior notice.

SERVICE:

Any questions regarding operating or maintenance of table should be directed to the Service Department of TRI W-G, INC.

MAIL

TRI W-G, INC.
215 12th Avenue NE
PO Box 905
Valley City, ND 58072-0905

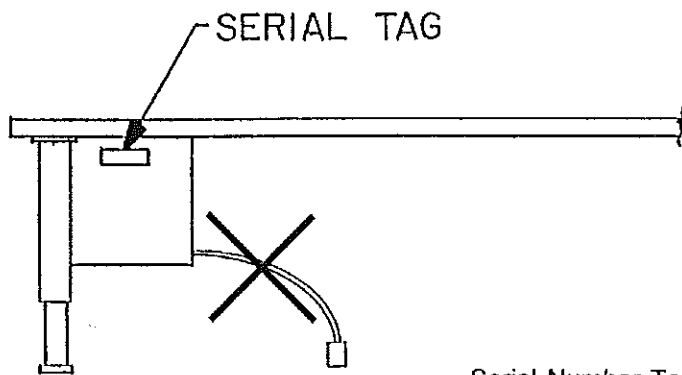
TELEPHONE

In all states, except North Dakota
1-800-437-8011

In North Dakota
1-701-845-3984

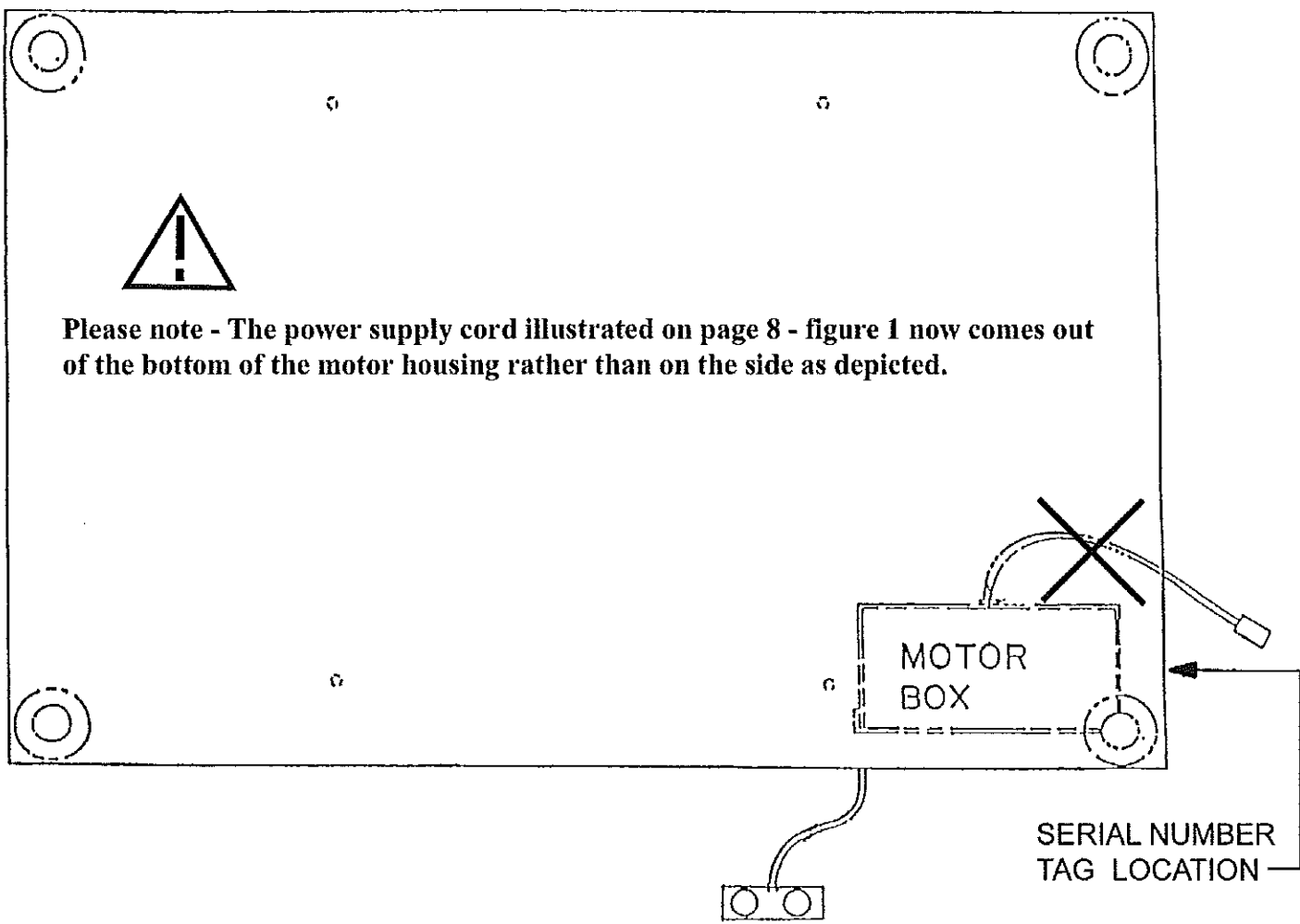
SUGGESTED CLEANING PROCEDURES FOR VINYL

1) **ORDINARY DIRT** - Ordinary dirt can be removed by washing with warm water and a mild soap. Apply soapy water to a large area and allow to soak for a few minutes. Brisk rubbing with a cloth should then remove most dirt. The procedure may be repeated in case of stubborn or imbedded dirt. A soft bristle brush may be used after the soap has been applied.



SIDE VIEW

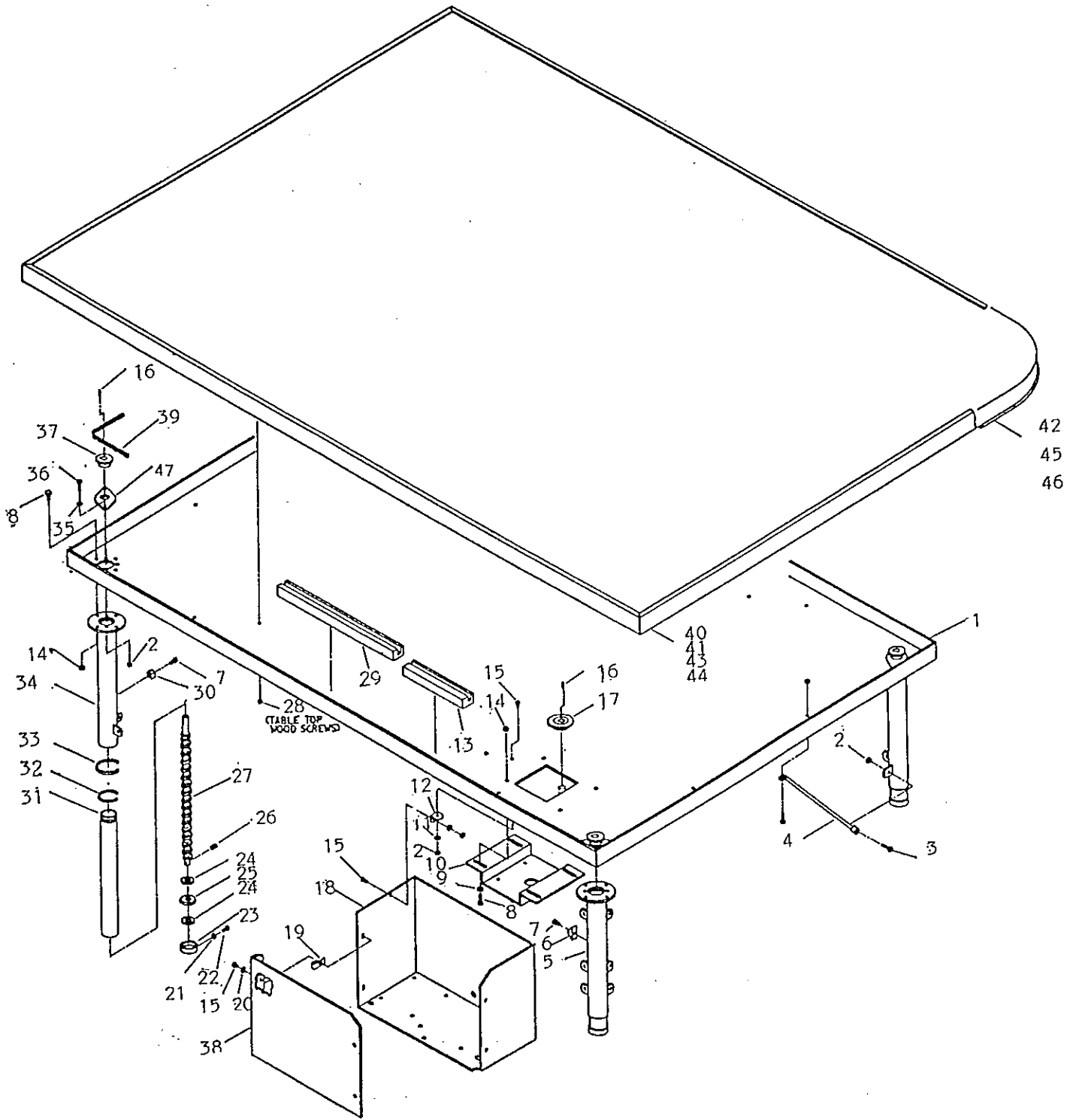
Serial Number Tag is located on the back side of the motor box next to the power cord.



Please note - The power supply cord illustrated on page 8 - figure 1 now comes out of the bottom of the motor housing rather than on the side as depicted.

SERIAL NUMBER TAG LOCATION

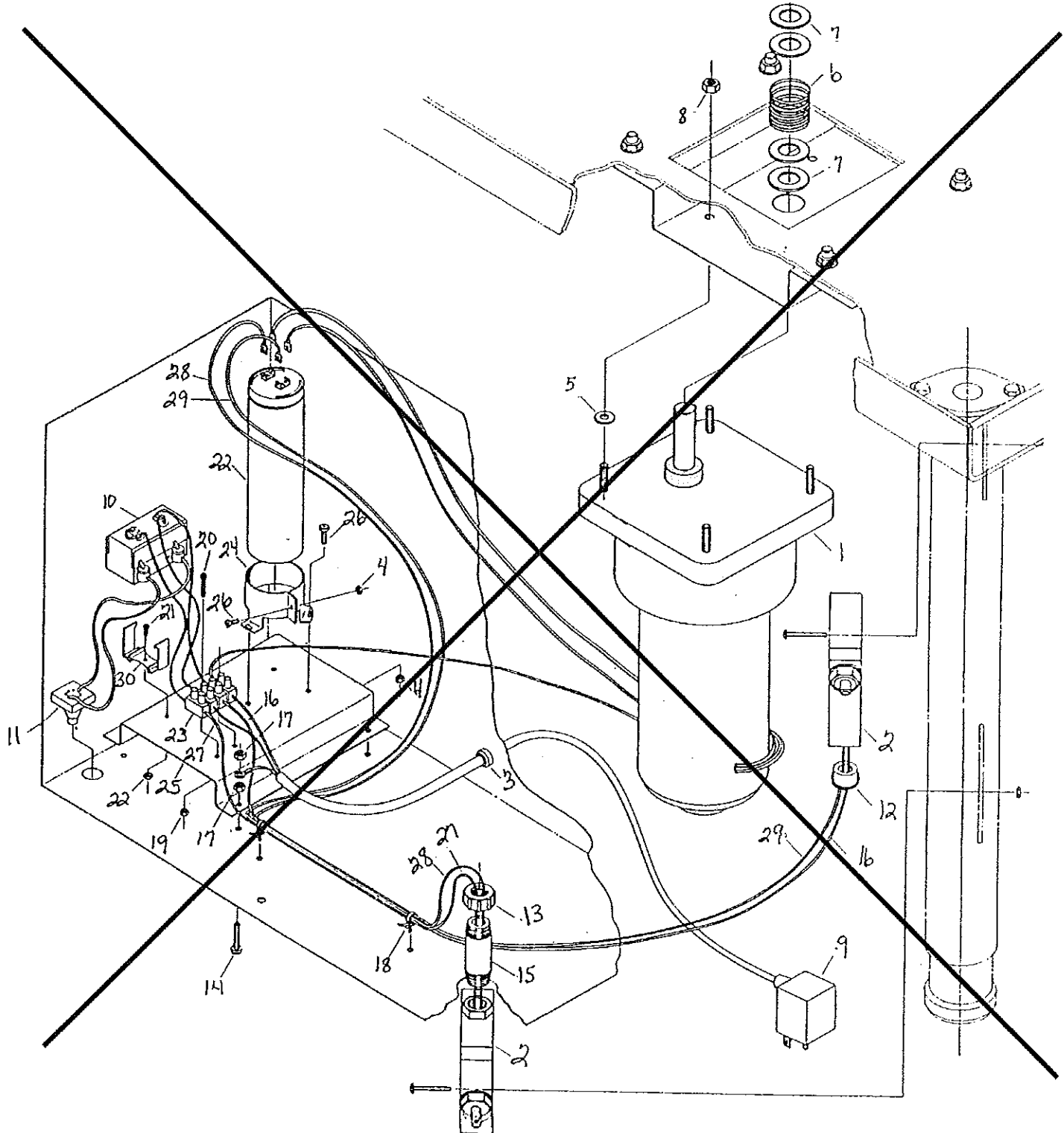
MODEL 820 SERIAL PLATE LOCATION
FIGURE 1



MODEL 820 MECHANICAL PARTS
 FIGURE 2

MECHANICAL SERVICE PARTS LIST

<u>ITEM NUMBER</u>	<u>PART NUMBER</u>	<u>DESCRIPTION</u>	<u>QTY.</u>
1	182-010-000	Platform	1
1	182-092-000	Platform (820-05)	1
2	905-043-001	1/4-20 Keps lock type hex nut	33
3	905-001-002	1/4-20 x 3/4" hex head cap screw	16
4	182-017-000	Leg brace	8
5	182-015-000	Motor stanchion	1
5	184-013-000	Motor stanchion (820-LL)	1
6	182-021-000	Limit stop	1
6	184-016-000	Limit stop (820-LL)	1
7	905-004-001	10-24 x 3/8" socket head cap screw	4
8	905-001-015	5/16-18 x 3/4" hex head cap screw	20
9	905-038-002	5/16" washer	4
10	181-035-000	Motor mount	1
10	184-015-000	Motor mount (820-LL)	1
11	905-033-004	1/4" AN washer	8
12	181-034-000	Tab	2
13	182-022-005	Chain guide (820-05)	1
14	905-043-002	5/16-18 keps lock type hex nut	20
15	905-016-012	1/4-20 x 1/2" Rd.Hd.Ph.Mach.screw	10
16	905-029-003	#9 woodruff key	4
17	182-030-000	3525 sprocket	1
18	182-018-000	Motor housing	1
18	182-062-000	Motor housing	1
19	905-047-001	1/4-20 speed nut	5
20	907-003-021	Nylon washer	4
21	905-037-001	#10 shakeproof washer	17
22	905-016-010	10-24 x 1/2" Rd.Hd.Ph.Mach.screw	11
23	181-075-000	Leg cap	4
24	905-036-004	5/8" SAE flat washer	4
25	907-005-060	UNMW washer	4
26	905-028-008	3/16" x 1-1/4" tension pin	4
27	181-014-000	Acme screw	4
27	184-012-000	Acme screw (820-LL)	4
28	905-007-003	1/4" x 2" lag screw	4
29	111-058-000	Chain guide	4
30	182-020-000	Rotation block	3
31	181-010-000	Limit telescopic leg	4
31	184-011-000	Limit telescopic leg (820-LL)	4
32	181-027-000	Nylatron 'O' ring	4
33	181-028-000	Nylatron 'O' ring	4
34	182-016-000	Anti rotating stanchion	3
34	184-010-000	Anti rotating stanchion (820-LL)	3
35	905-036-002	1/4" SAE flat washer	4
36	905-001-003	1/4-20 x 1" hex head cap screw	8
37	901-001-014	3514 x 3/4" sprocket	4
38	182-019-000	Motor housing cover	1
39	901-004-001	#35 roller chain	1
40	182-110-000	820-10 mat top	1
41	182-120-000	820-20 mat top	1
42	182-125-000	820-25 mat top	1
43	182-130-000	820-30 mat top	1
44	182-140-000	820-40 mat top	1
45	182-145-000	820-45 mat top	1
46	182-105-000	820-05 mat top	1
47	904-001-030	Flanged bearing	4
47	162-097-000	Bearing cage (820-LL)	4



MODEL 820 ELECTRICAL PARTS
FIGURE 3



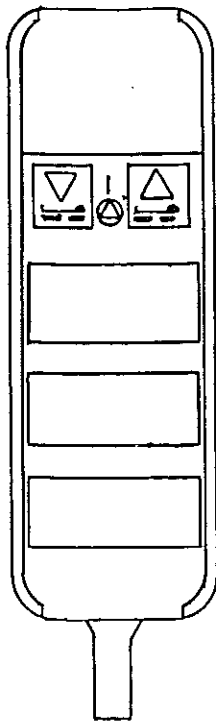
Please note - The Illustration of the Electrical Parts on page 11 - figure 3 and the Electrical Service Parts List on page 12 do not reflect the current motor, power supply, and fuse holder in use. Please contact manufacturer at 1-800-437-8011 for an updated Illustration of the Electrical Parts and Electrical Service Parts List on this piece of equipment.

ELECTRICAL SERVICE PARTS LIST

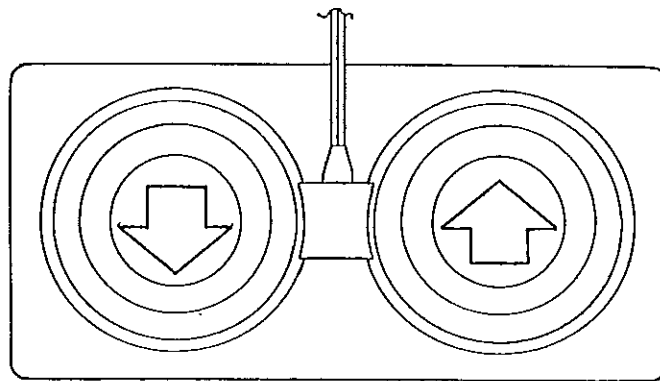
<u>ITEM NUMBER</u>	<u>PART NUMBER</u>	<u>DESCRIPTION</u>	<u>QTY.</u>
1	900-010-006	54 RPM gearmotor	1
2	900-005-006	Limit switch	2
3	900-012-003	#6 heyco restrainer	1
4	905-041-003	10-24 hex nut	4
5	905-036-002	1/4" washer	4
6	906-001-014	Compression spring	1
7	907-003-021	Nylon washer	4
8	905-043-001	1/4-20 keps lock type hex nut	33
9	900-001-051	Power cord	1
10	900-005-039	Air relay switch	1
11	900-025-007	Coupling grommet	1
12	900-012-010	Bushing	1
13	900-013-016	Plastic insulator nut	1
14	905-016-010	10-24 x .50 rd hd ph machine screw	4
15	900-013-026	Pipe nipple	1
16	900-001-009	16 GA blue wire	1
17	905-041-003	10-24 hex nut	4
18	907-005-066	Nytes	2
19	905-041-001	4-40 hex nut	3
20	905-016-006	4-40 x 3/4" machine screw	3
21	905-016-005	4-40 x 3/4" machine screw	3
22	900-009-010	Capacitor	1
23	900-002-031	Electrical strip	1
24	900-026-001	Capacitor mount	1
25	182-050-000	Relay switch bracket	1
26	905-016-010	10-24 x 1/2" Rd.Hd.Ph.Mach.screw	11
27	900-001-012	16 GA white wire	1
28	900-001-011	16 GA red wire	1
29	900-001-006	16 GA black wire	1
30	917-000-105	Relay switch bracket	1



Please note - The Illustration of the Electrical Parts on page 11 - figure 3 and the Electrical Service Parts List on page 12 do not reflect the current motor, power supply, and fuse holder in use. Please contact manufacturer at 1-800-437-8011 for an updated Illustration of the Electrical Parts and Electrical Service Parts List on this piece of equipment.

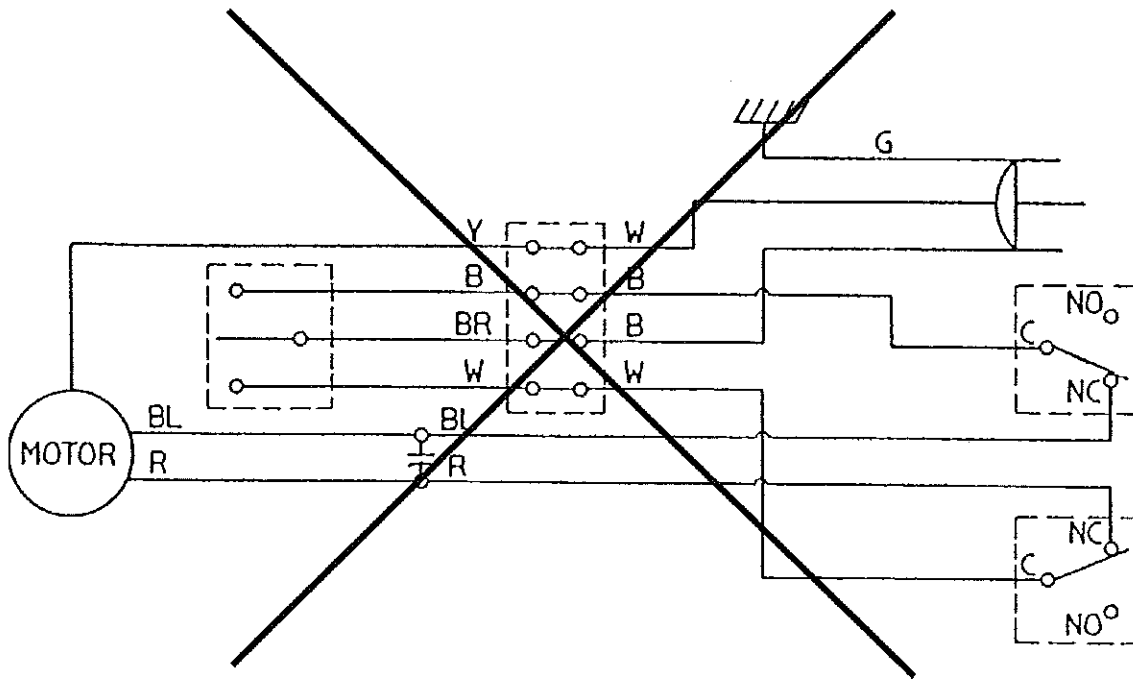


HAND CONTROL (OPTIONAL)
900-025-001



FOOT CONTROL (STANDARD)
900-025-004

MODEL 820 PNEUMATIC PARTS
FIGURE 4



COLOR CODE

B - BLACK
 BL - BLUE
 BR - BROWN
 G - GREEN
 R - RED
 W - WHITE
 Y - YELLOW



Please note - The illustration of the Wiring Diagram on page 14 - figure 5 does not reflect the current motor, power supply, and fuse holder in use. Please contact manufacturer at 1-800-437-8011 for an updated Wiring Diagram for this piece of equipment.

MODEL 820 WIRING DIAGRAM
 FIGURE 5

PAGE 14

SERVICE MAINTENANCE PROGRAM

This device has been designed and built to provide many years of reliable service. To keep this device in good operating condition, a service maintenance program should be established to assure continued trouble-free service.

The below items should be included in the service maintenance program. A check list has been provided at the back of this manual to provide an area to document the date of inspection and comments.

- 1) Assure all bolts and screws are tight.
- 2) Assure power cord does not show signs of wear or damage.
- 3) Visually inspect device while operating to assure it is functioning as it should.
- 4) Assure hand and/or foot control is functioning as it should.

REPAIR OR REPLACE ANY ITEM THAT APPEARS WORN OR UNSAFE!!

