



215 - 12th Avenue NE  
Valley City, ND 58072-0905

1-800-437-8011  
triwg@triwg.com  
www.triwg.com

**FOR CUSTOMER ASSISTANCE**

As a future reference, we suggest you record the information listed below for quick accessibility.

Model No.: \_\_\_\_\_

Serial No.: \_\_\_\_\_

Purchase Date: \_\_\_\_\_

Purchased From: \_\_\_\_\_

Tri W-G® Service:  
1-800-437-8011

# USER MANUAL

*P/N: 040115-750*

*For*

## MOTORIZED TILT TABLE 6100 SERIES

Item: TG2732.0.EC750



Recognized Electrical Components to 60601-1  
CAN/CSA C22.2 No. 601.1-M90  
with updates 1 and 2



Recognized Electrical Components to 60601-1  
CAN/CSA C22.2 No. 601.1-M90  
with updates 1 and 2

Read this user manual carefully  
before using Motorized Tilt Table  
LIMITED WARRANTY REGISTRATION CARD ENCLOSED



## **INTRODUCTION**

Thank you for selecting the Tri W-G Motorized Tilt Table. The purpose of these operating instructions is to introduce the authorized user/operator in using and working with this device safely, and to conduct routine preventative maintenance procedures on the device. For this goal to be achieved, it is essential that the authorized user/operator carefully read this manual, understand, and practice the precautionary measures recommended in it. **PLEASE HAVE ANYONE WHO WILL BE OPERATING THIS TABLE READ THIS MANUAL.**


## **UNCRATING**

1. Inspect for any damage to the table immediately after uncrating. If the table is damaged, file a merchandise damage report immediately with the delivering carrier. Do not return damaged merchandise to Tri W-G® unless instructed to do so.
2. Keep the cardboard liner on top of the table while moving table to desired location. This will prevent damage to the frame and cushion while moving down hallway, through doorways, etc.
3. Remove all other packaging material from the table, except for the cardboard cushion liner.

## **INSTALLATION**

1. There is no assembly required; however, refer to page 5 for Safety Restraint Belt Installation.
2. Position table in an area having flat/level floors so table is not distorted out of alignment and caster brakes will function as intended.
3. Casters should be locked at all times except for when moving. Casters should be locked when a person is on the table.
4. Connect power cord to properly grounded 120 Volt AC receptacle, conforming to applicable nationally recognized electrical codes.
5. Power supply cord serves as disconnect device. The socket-outlet shall be installed near the equipment and shall be easily accessible.

## **IMPORTANT SAFETY/PRECAUTIONARY INSTRUCTIONS**

1. Once again, please have anyone who will be operating this table read the manual before using. Operator should understand and practice the precautionary instructions recommended in this manual. All users should use common sense and know the limitations and hazards associated with operating the table.
2. **NEVER** place your hands or feet, nor the patients' hands or feet, near any of the working mechanisms of the table when raising or lowering the table. Also, **DO NOT** place or leave objects or items of any kind underneath the base frame of the table when operating.
3. Whenever you see this symbol:  it means "Attention! You and/or Your Patients' Safety is Involved".
4. During table operation, stop the table operation if anything unusual is observed or unusual sounds are heard coming from the table.

## **OPERATING INSTRUCTIONS**

**Adjust Tilt**--To tilt the tilt table, simply touch the up or down arrow key on the hand switch. The low voltage hand switch has operating power of VDC/mA of 12/50.

**Duty Cycle**--System is an intermittent operation; 1 minute on, 9 minutes off.

**Capacity**--The table is intended to support **750 lbs** (340 Kilograms).

**Casters**--Operating the casters is accomplished by stepping on brake pedal located on the side of the brake.

**Intended Use**--This device is a motorized tilt table intended for medical purposes and is an electrically operated flat surface table that can be adjusted to various positions. It is used by patients with circulatory, neurological, or musculoskeletal conditions to increase tolerance to an upright or standing position. This device is intended for professional use only.

## **MAINTENANCE**

The tilt table is equipped with a strong high-performance quiet linear actuator, having a long lifetime and virtually maintenance free; however, conducting routine preventative maintenance checkups are a must. One must routinely check the actuator for wear on the end mounts and connecting bolts, for unusual noises, for actuator wobbling when extending or retracting the spindle, and that it is operating smoothly, as minimums. Due to normal wear, it may be necessary to replace the linear actuator. The actuator is non-servicable in the field. Call customer service for replacement actuator.

Due to normal wear, it may be necessary to replace the hand switch or the power cord. Call our customer service for replacement parts and/or installation instructions.

Cleaning the vinyl cover is accomplished with a mild detergent and water. Do not use Peroxide, Hylex, Lysol, or strong cleaning agents as they will discolor and reduce the life of the vinyl. We also recommend diluting some of the well known over the counter cleaners available before using; such as 409<sup>®</sup> cleaner with a ratio of 4:1 at a minimum. A soft dust cloth will work to remove dust and lint on the steel frame when necessary.

Any repair should be performed by trained or certified service personnel.

## **SYMBOLS, INDICATORS, and DEGREE OF SAFETY**



Attention: Consult accompanying documents.



Type B Equipment: Equipment providing a particular degree of protection against electric shock, particularly regarding allowable leakage current and reliability of the protective earth connection.



This product is Class I equipment in which protection against electric shock does not rely on BASIC INSULATION only, but which includes an additional safety precaution in that means are provided for the connection of the EQUIPMENT to the protective earth conductor in the fixed wiring of the insulation in such a way the ACCESSIBLE METAL PARTS cannot become LIVE in the event of a failure of the BASIC INSULATION.

WATER Protection against harmful ingress of water--Ordinary.

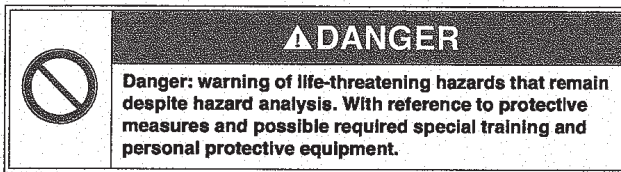
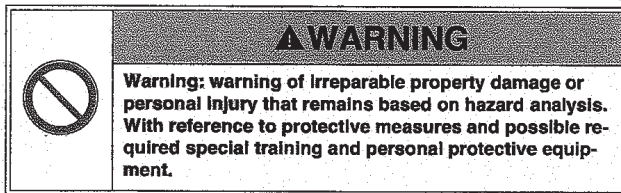
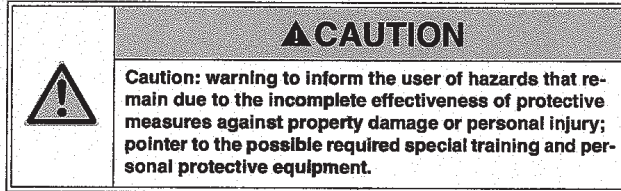
ANAESTHETICS Not suitable for use in the presence of a flammable anaesthetic mixture with air or oxygen or nitrous oxide.

ELEC. RATING Input: 120 Volt AC, 60 Hz, 6.5 Amp, single system.

## **WARNINGS AND USAGE HINTS**

Please make note of the meaning of the following warnings and usage hints:

**Note:** indicates usage information that helps the user to use the product correctly and efficiently or to understand the properties of the product.



## **OTHER HAZARDS**

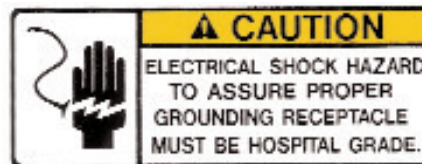
The manufacturer has constructively, and with protective measures, minimized the effects of existing hazards. Pay attention to the following hazards and the possible countermeasures given in the following:



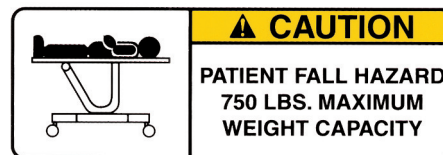
915-001-096 REV: C



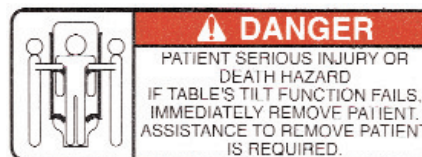
915-001-096 11/13/11



915-001-092 REV: B



915-001-243

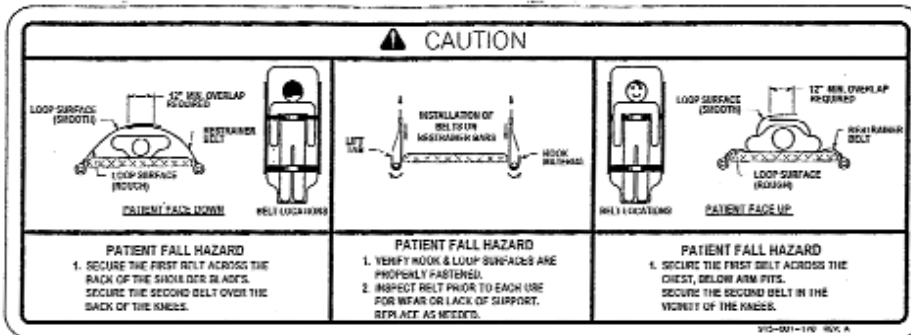


915-001-174 REV: A

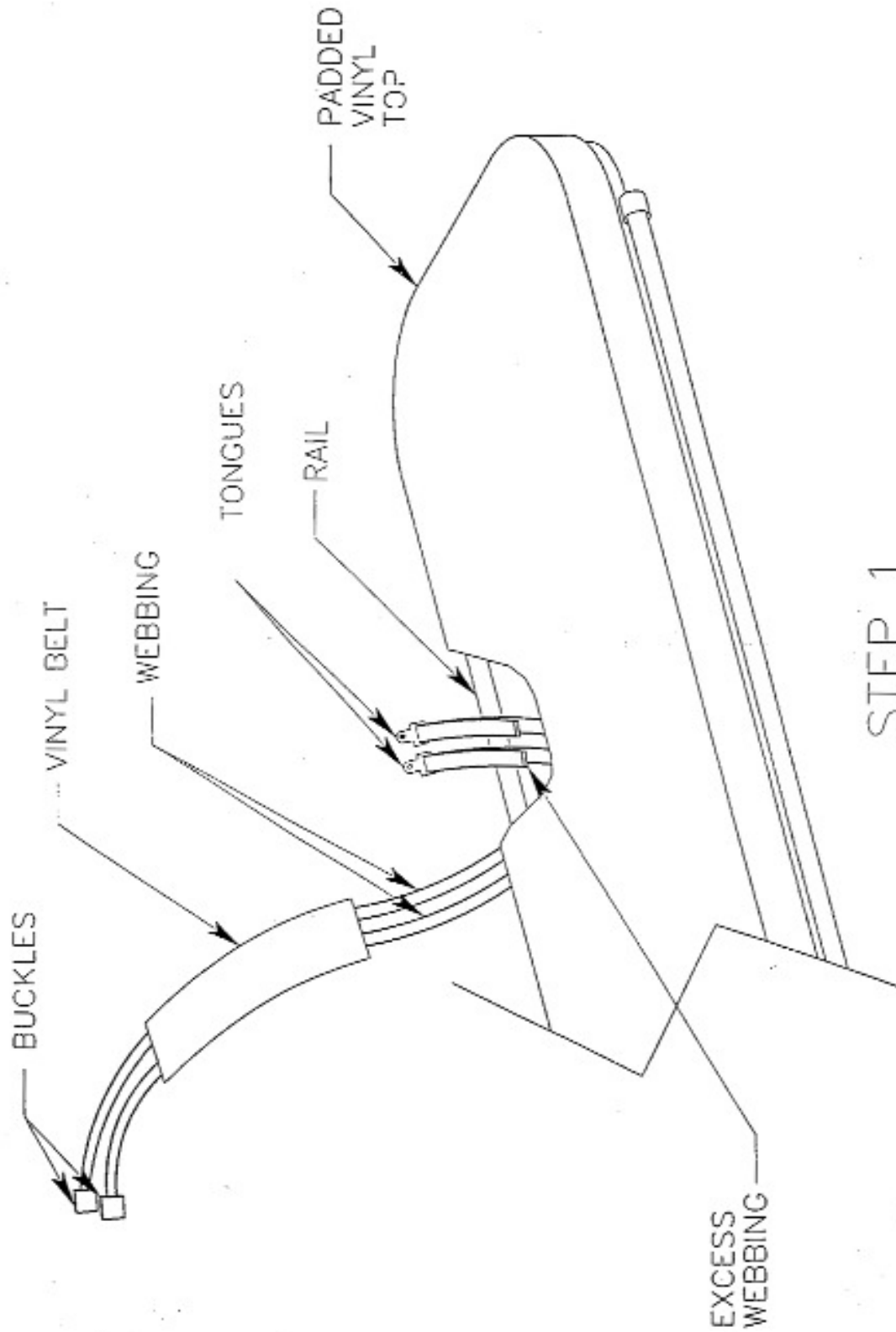
## **RESTRAINING BELTS**

Three restraining belt assemblies are provided with the table. Although two belts are shown in the diagram below, you may use three belts if patient conditions warrant using a third belt.

With the patient leaning into the cushion, the upper belt can be placed across the chest and below the arm pits. A lower belt is then secured in the vicinity of the knees. Refer to page 6 for complete Safety Restraint Belt Installation. The restraining belt assembly has a hook and loop closure design requiring a minimum of 12" overlap engagement. Pay attention to the following caution and the possible countermeasures given in the following:



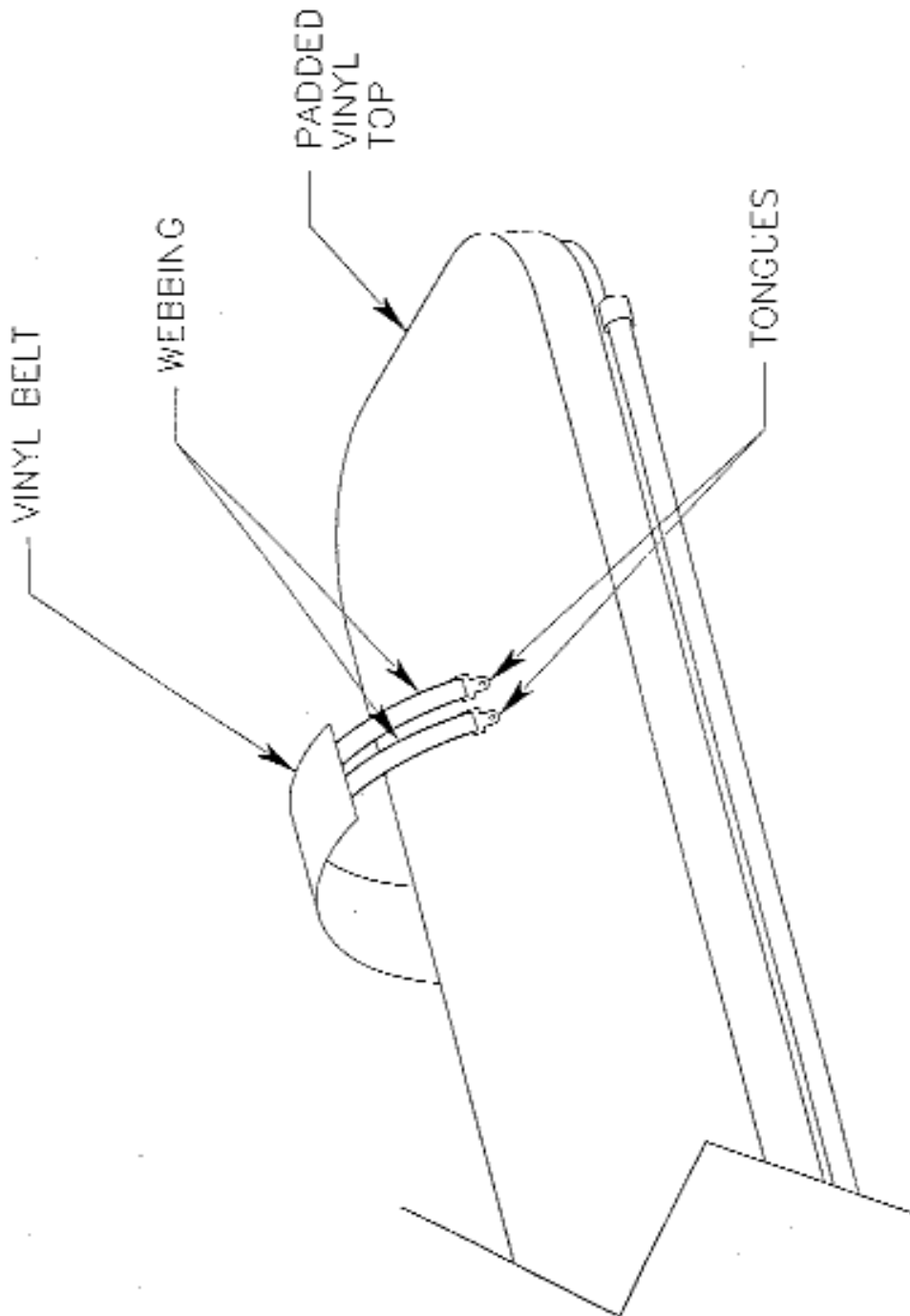
# SAFETY RESTRAINT INSTALLATION



STEP 1

OBTAIN THE TONGUE ENDS OF THE WEBBING AND WEAVE THEM BETWEEN THE RAIL AND PADDED VINYL TOP. THE EXCESS WEBBING USED FOR SIZE ADJUSTMENT MUST BE FACING TOWARDS THE PADDED VINYL TOP.

## SAFETY RESTRAINT INSTALLATION

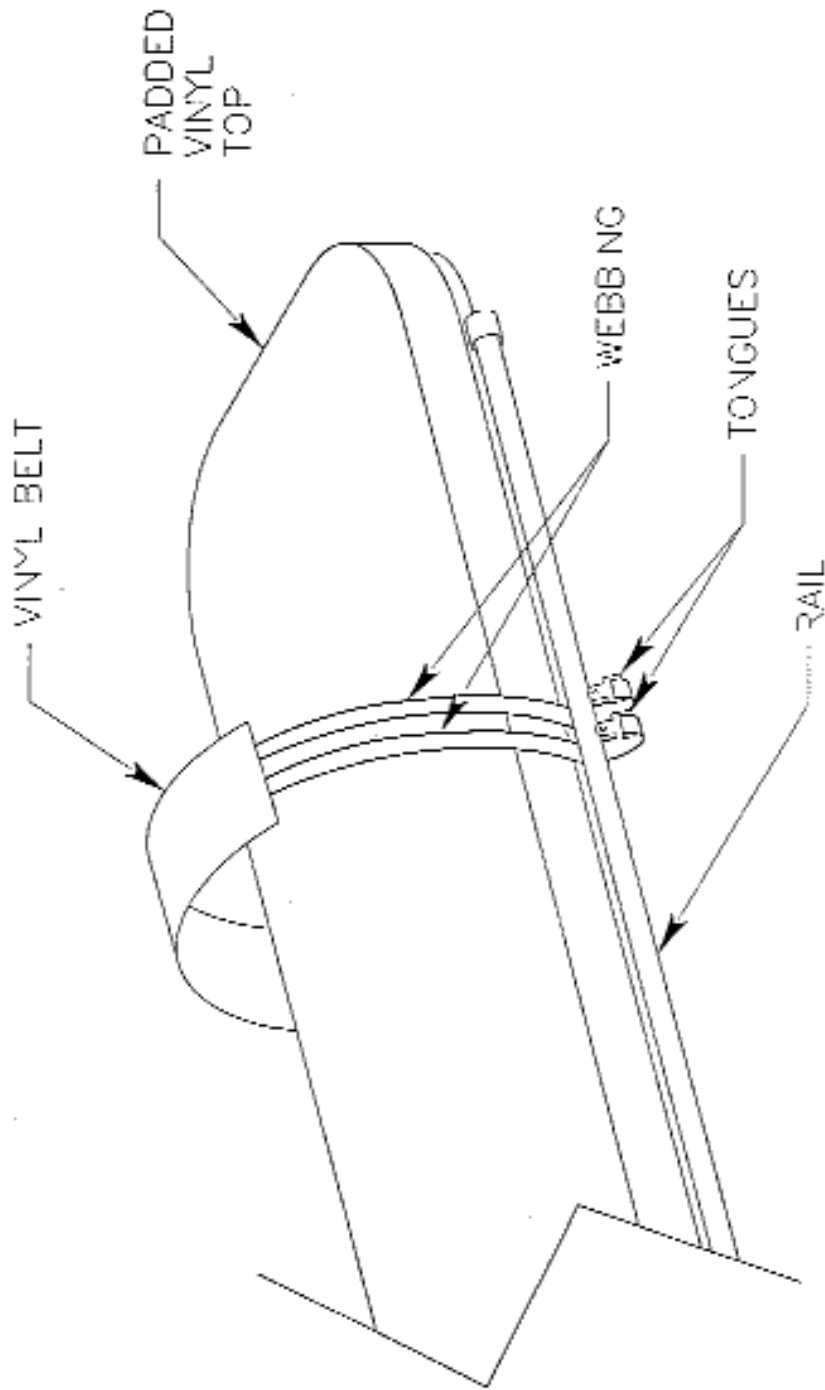


### STEP 2

CONTINUE TO WEAVE THE WEBBING AND VINYL BELT BETWEEN THE RAIL AND PADDED VINYL TOP. THE EXCESS WEBBING, FOR SIZE ADJUSTMENT, MUST BE FACED DOWN TOWARDS THE PADDED VINYL TOP. WHEN THE VINYL BELT AND WEBBING HAVE BEEN WEAVED THROUGH, THE VINYL BELT WILL LAY OVER THE ENTIRE PADDED VINYL TOP.



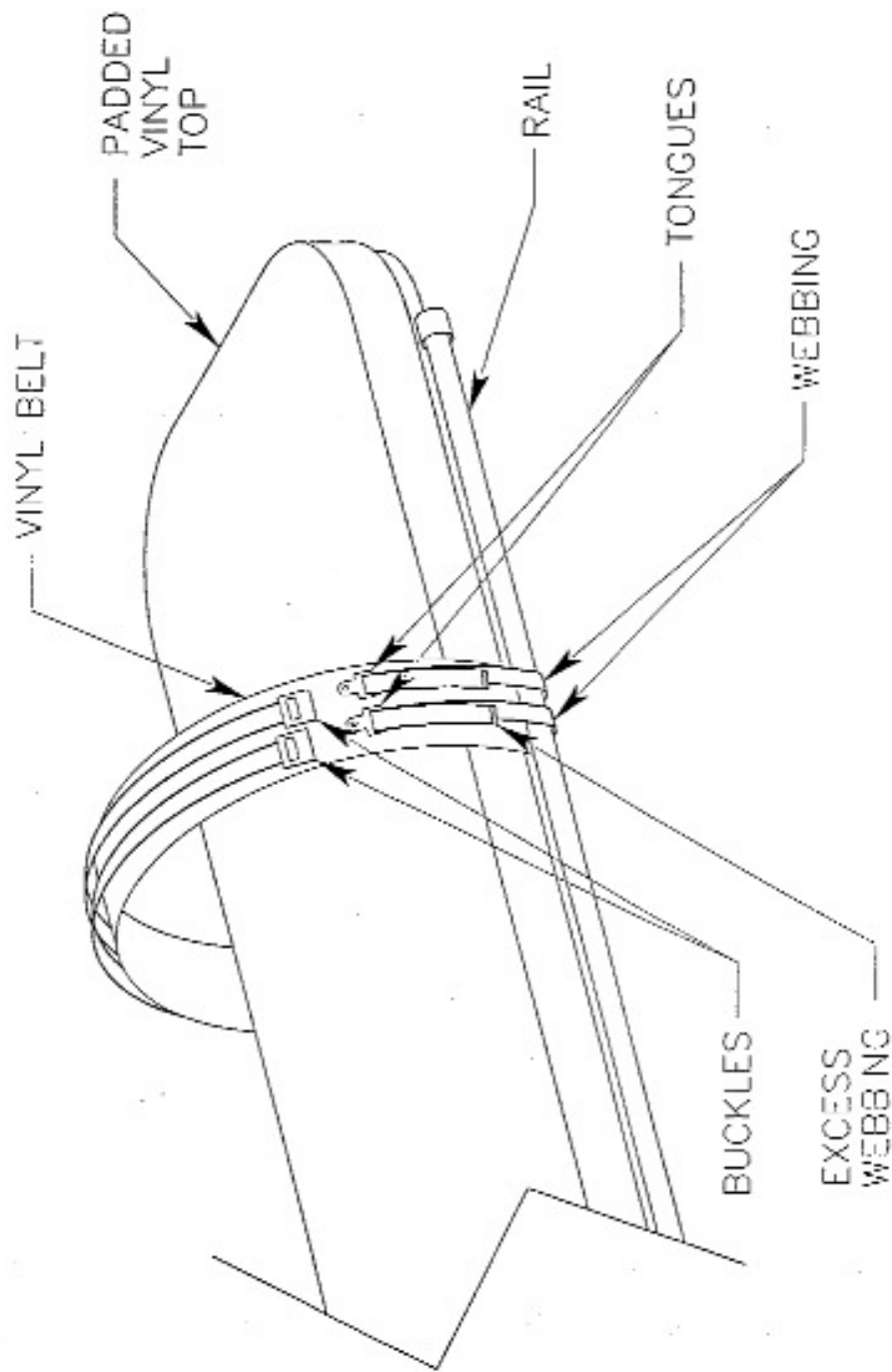
# SAFETY RESTRAINT INSTALLATION



## STEP 3

WEAVE THE TONGUE ENDS OF THE WEBBING BETWEEN THE PADDED VINYL TOP AND AROUND THE RAIL. ONCE THE TONGUE ENDS ARE LOOPEd AROUND THE RAIL, LAY THE TONGUE ENDS BACK OVER ON TOP OF PADDED VINYL TOP.

## SAFETY RESTRAINT INSTALLATION



### STEP 4

OBTAIN THE BUCKLE ENDS ON THE OTHER END OF THE WEBBING AND LAY THEM OVER THE TOP OF THE VINYL BELT. THE BUCKLE BUTTON LABELED "PUSH" SHOULD BE FACING UP. INSERT THE TONGUE ENDS OF THE WEBBING INTO THE BUCKLE ENDS AND USE THE EXCESS WEBBING TO ADJUST THE SIZE NEEDED. THE VINYL BELT IS THE ONLY ITEM THAT WILL COME IN CONTACT WITH THE PATIENT. REPEAT THESE FOUR STEPS FOR THE REMAINING BELT ASSEMBLIES.

## **TROUBLE SHOOTING**

1.0 Table does not move up or down:

1.1 Check power cord connection to main power source.

1.2 Make sure main power source is receiving power.

1.3 Thermal protector may have activated, and you must allow the system to cool down.

1.4 Table still does not function after checking the aforementioned possible items, call the customer service at 1.800.437.8011.

2.0 Tried everything and nothing works to resolve the dilemma--call customer service at 1.800.437.8011.

## **SPECIFICATIONS:**

Item No. TG2732.0.EC750; Width-31"; Length-81 1/2"; Ht. Range- 34 1/2" (*nominal, depending on caster type*)

Weight Capacity: 750 lbs. lifting

Tilt Range: 0 to 90 degrees

Angle Indicator

Accommodates Patient Lifts

Restraining Belts: Belts Included, 3 each.

Upholstered Top: 2" polyfoam with vinyl cover standard; Vinyl Coated Nylon & Herculite, optional. Has rounded corners with steel frame as a bumper guard. Vinyl conforms to California Fire Code 117.

Casters: Four locking casters, both swivel and directional, standard.

Frame: Heavy gauge steel.

Finish: Polyurethane Pearl Grey standard; Porcelain optional.

Switch: Handheld height adjusting switch, low voltage-VDC/mA of 12/50. Power supply serves as main disconnect device.

Electrical: 6.5A, 120V, 780W, hospital grade plug.

UL® Class: UL® Recognized Electrical Components to 60601-1  
CAN/CSA-C22.2 No. 601.1-M90 with updates 1 and 2

## **NOTICE:**

Design changes may have occurred in the product since this manual was published. The technical information found within this manual was correct at the time this manual was approved for publication.

Tri W-G, Inc. does not assume any risk or liability for attachments, or their effects on this device, if the attachments are not manufactured, sold by, and expressly approved by Tri W-G, Inc.

When parts are required, use only those parts authorized by Tri W-G, Inc.

If any information contained in this publication is not understood, the user should contact Tri W-G, Inc. for assistance.

### **LIMITED WARRANTY**

This Product or Part is sold by Tri W-G,<sup>®</sup> Inc. under the limited warranties set forth in the following paragraphs. Such warranties are extended only with respect to the Purchase of the Product or Part as new merchandise directly from Tri W-G,<sup>®</sup> Inc. or a Tri W-G,<sup>®</sup> Inc. Authorized Dealer and are extended to the ultimate customer purchaser of the Tri W-G,<sup>®</sup> Inc. Product or Part.

**Tri W-G,<sup>®</sup> Inc.** warrants that each Product or Part sold hereunder shall be free of defects in material and workmanship for the Product warranty period identified as follows:

**Ten Years:** structural frame.

**Two Years:** operating system and major moving components.

**One Year:** hand and foot controls; upholstery.

*(Please note the aforementioned limited warranty is limited to original owner and not transferable.)*

in the case of Products and twelve months in the case of Parts from the date of delivery from Tri W-G,<sup>®</sup> Inc. or an authorized Tri W-G,<sup>®</sup> Inc. Dealer, whichever is later. Should defects appear in any products subject to this limited warranty and Parts subject to this limited warranty sold hereunder within the respective limited warranty period, Tri W-G,<sup>®</sup> Inc. will repair or replace under the terms of this limited warranty any defective Part or Parts or provide new or remanufactured Parts when the defective Part or Parts are returned to Tri W-G,<sup>®</sup> Inc. facilities at Buyer's expense upon (20) days prior written notice to Tri W-G,<sup>®</sup> Inc. Buyer will be charged for any replacement Parts when shipped to Buyer by Tri W-G,<sup>®</sup> Inc. When the defective Parts are returned to Tri W-G,<sup>®</sup> Inc. pursuant to Tri W-G,<sup>®</sup> Inc. returned goods authorization, charges will be waived.

**This limited warranty** does not apply to any Products or Parts which have been damaged through misuse, negligence or accident (including shipping damage) on the part of Buyer or any third party. This limited warranty does not apply to any Product in which Parts other than replacement Parts or Parts approved by Tri W-G,<sup>®</sup> Inc. have been used if said Parts are or may be the cause of failure.

FOR ANY BREACH OF WARRANTY, EXPRESSED OR IMPLIED, THE LIABILITY OF TRI W-G,<sup>®</sup> INC. IS HEREBY EXPRESSLY LIMITED, AND SUBJECT TO THE TERMS HEREIN, TO THE REPAIR OR REPLACEMENT OF ANY PRODUCT OR PART WHICH SHALL APPEAR TO BE DEFECTIVE IN THE OPINION OF TRI W-G,<sup>®</sup> INC. THIS WARRANTY IS IN LIEU OF ALL OTHER WARRANTIES, EXPRESSED OR IMPLIED, INCLUDING WARRANTIES OF MERCHANTABILITY AND FITNESS FOR A PARTICULAR PURPOSE. IN NO EVENT SHALL TRI W-G,<sup>®</sup> INC. BE LIABLE FOR ANY SPECIAL, INCIDENTAL OR CONSEQUENTIAL DAMAGES. NO CLAIM FOR BREACH OF WARRANTY FOR PRODUCTS OR PARTS FURNISHED HEREUNDER SHALL BE ASSERTED AGAINST TRI W-G,<sup>®</sup> INC. MORE THAN TWENTY (20) DAYS AFTER THE EXPIRATION OF THE WARRANTY PERIOD.

**DISCLAIMER**

Every effort has been made to use accurate photography, drawings, product specifications and descriptions at the time of printing. However, because of continuous progressive product improvements, all specifications and descriptions are subject to change without prior notice.

Tri W-G® is a registered trademark of Tri W-G, Inc. UL® is a registered trademark of Underwriters Laboratories, Inc. All other company and product names are trademarks or registered trademarks of their respective owners.

*This page intentionally left blank.*

*This page intentionally left blank.*

Manufactured and Distributed by:



**Phone: 1-800-437-8011**

**Email: [triwg@triwg.com](mailto:triwg@triwg.com)**

215 12th Avenue NE

PO Box 905

Valley City, ND 58072-0905